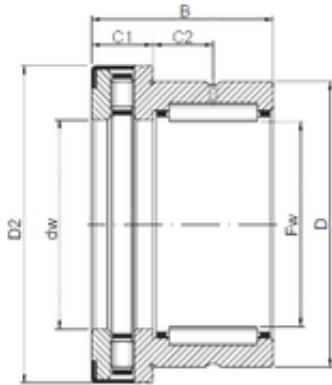




IFB Roller Industry Co.,Ltd

ISO NKXR 35 Z complex bearings



Bearing No. NKXR 35 Z

Size	35x47x30 mm
Bore Diameter	35 mm
Outer Diameter	47 mm
Width	30 mm
d	35 mm
Fw	35 mm
D	47 mm
B	30 mm
C1	12 mm
D2	53,2 mm
C2	9 mm

NKXR 35 Z Bearing 2D drawings and 3D CAD models