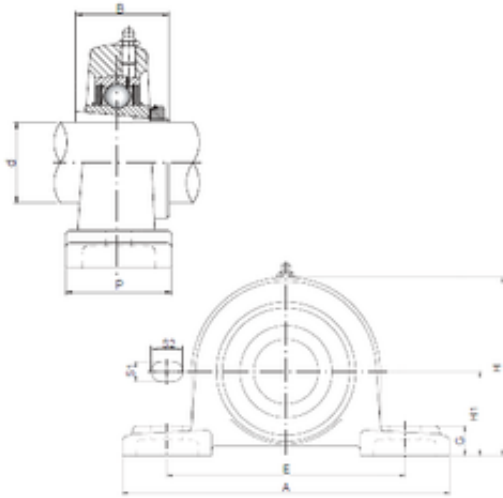




# IFB Roller Industry Co.,Ltd



## ISO UKP206 bearing units

Bearing No. UKP206

Bore Diameter	25 mm
d	25 mm
S1	17 mm
P	48 mm
A	165 mm
B	38 mm
E	121 mm
G	17 mm
H	84 mm
H1	42,9 mm

UKP206 Bearing 2D drawings and 3D CAD models