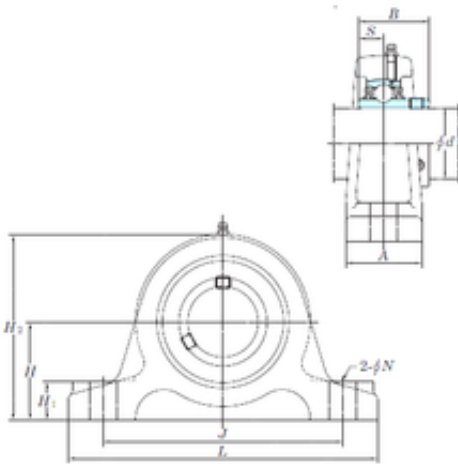




IFB Roller Industry Co.,Ltd

KOYO UCIP314-44 bearing units

Bearing No. UCIP314-44



UCIP314-44 Bearing 2D drawings and 3D CAD models

Bore Diameter	69,85 mm
Width	78 mm
d	69,85 mm
A	75 mm
B	78 mm
H	110 mm
H1	35 mm
H2	215 mm
J	270 mm
L	330 mm
N	25 mm
S	33 mm
Bolt (G)	M22
Weight	15,3 Kg
Basic dynamic load rating (C)	104 kN
Basic static load rating (C0)	68,2 kN