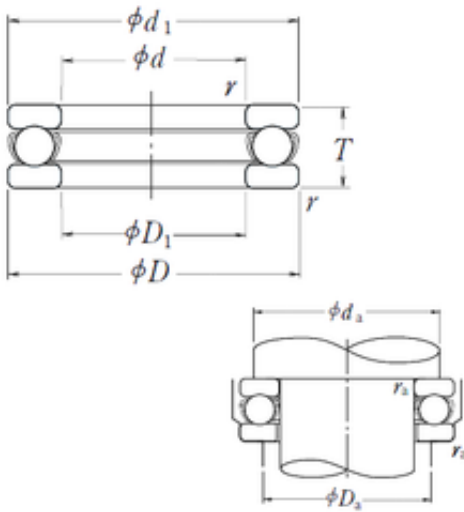




# IFB Roller Industry Co.,Ltd



51322X Bearing 2D drawings and 3D CAD models

## NSK 51322X thrust ball bearings

Bearing No. 51322X

Size	110x190x63 mm
Bore Diameter	110 mm
Outer Diameter	190 mm
Width	63 mm
d	110 mm
D	190 mm
T	63 mm
d1	187 mm
r min.	2 mm
D1	113 mm
da min.	158 mm
Da max.	142 mm
ra max.	2 mm
Weight	7,19 Kg
Basic dynamic load rating (C)	282 kN
Basic static load rating (C0)	755 kN
(Grease) Lubrication Speed	900 r/min
SRI	15.43
hidYobi	51322X
LangID	1
D_	190
SREX	0.1
C	282
B_	63
hidTable	ecat_NSSDTB
Oil rpm	1300



## IFB Roller Industry Co.,Ltd

SRE	15.43
mass	7.19
GRS rpm	900
ra	2
SRIX	0.1
D_a	142
SRIN	0
C0	755
SREN	0
D_1	113
Prod_Type3	TB_SD_WFS
da	158
DA_	28.575
Z_	15
yobi	51322X
SDM_	150
r	2
T_	63
KBRG	5111