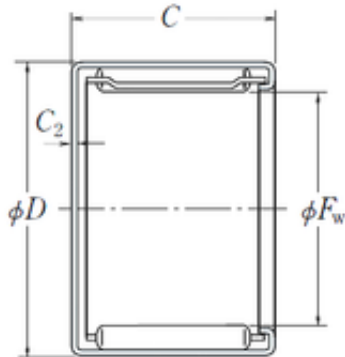




# IFB Roller Industry Co.,Ltd

## NSK MFJ-3520 needle roller bearings



Bearing No. MFJ-3520

Size	35x42x20 mm
Bore Diameter	35 mm
Outer Diameter	42 mm
Width	20 mm
Fw	35 mm
D	42 mm
C	20 mm
C1	1 mm
Weight	0,045 Kg
Basic dynamic load rating (C)	23600 kN
(Grease) Lubrication Speed	5600 r/min
NB-DI	0
NA-DEX	0
hidYobi	MFJ-3520
LangID	1
D_	42
NC-SLR	0
B_	20.5
n_yobi	FIR-303520
hidTable	ecat_NSDCNR
d1	30
GRS rpm	5600
ra	0.6
NC-SLR1	0
C0	42.292
Prod_Type3	NRB_DC_FJ-

MFJ-3520 Bearing 2D drawings and 3D CAD models



## IFB Roller Industry Co.,Ltd

	MFJ_WC_CT
da	34
d	30
NC-RAC	0
Pmax	17900
N-SDM	0
yobi	MFJ-3520
C1_C2	1
ND-Z	0
OIL rpm	9000
NC-DA	0
mass_i	45
NC-KMS	0
B1	20.5