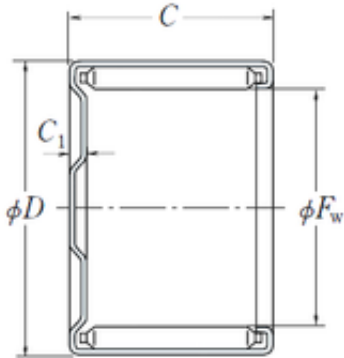




IFB Roller Industry Co.,Ltd

NSK MF-1416 needle roller bearings



Bearing No. MF-1416

MF-1416 Bearing 2D drawings and 3D CAD models

Size	14x20x16 mm
Bore Diameter	14 mm
Outer Diameter	20 mm
Width	16 mm
Fw	14 mm
D	20 mm
C	16 mm
C1	2,2 mm
Weight	0,019 Kg
Basic dynamic load rating (C)	13,3 kN
(Grease) Lubrication Speed	3800 r/min
NB-DI	0
NA-DEX	0
hidYobi	MF-1416
LangID	1
D_	20
NC-SLR	0
B_	16.5
n_yobi	FIR-101416
hidTable	ecat_NSDCNR
d1	10
GRS rpm	3800
ra	0.3
NC-SLR1	0
C0	21.868
Prod_Type3	NRB_DC_F-MF_FC_CT



IFB Roller Industry Co.,Ltd

da	12
d	10
NC-RAC	0
Pmax	9850
N-SDM	0
yobi	MF-1416
C1_C2	2.2
ND-Z	0
OIL rpm	6000
NC-DA	0
mass_i	19
NC-KMS	0
B1	16.5