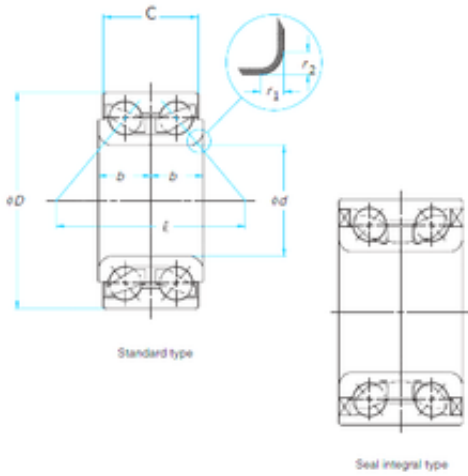




# IFB Roller Industry Co.,Ltd

## NTN AU1006-9LX2L/L588 angular contact ball bearings

Bearing No. AU1006-9LX2L/L588



Size	48x86x42 mm
Bore Diameter	48 mm
Outer Diameter	86 mm
Width	42 mm
d	48 mm
D	86 mm
B	42 mm
C	40 mm

AU1006-9LX2L/L588 Bearing 2D drawings and 3D CAD models