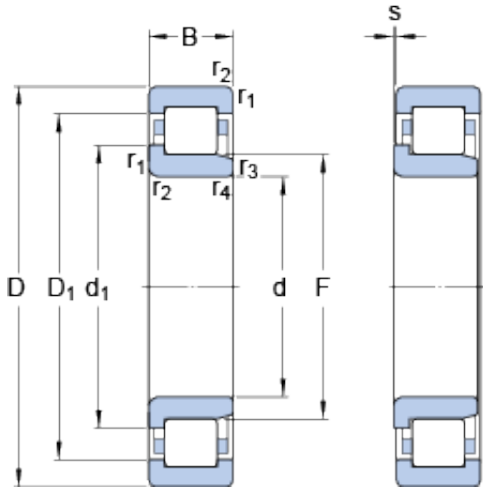




IFB Roller Industry Co.,Ltd



NJ 208 ECJ Bearing 2D drawings and 3D CAD models

SKF NJ 208 ECJ thrust ball bearings

Bearing No. NJ 208 ECJ

| | |
|---|-----------------------------|
| Size | 80x40x18 mm |
| Bore Diameter | 80 mm |
| Outer Diameter | 40 mm |
| Width | 18 mm |
| d | 40 mm |
| D | 80 mm |
| B | 18 mm |
| d ₁ | 54 mm |
| D ₁ | 67.4 mm |
| F | 49.5 mm |
| r _{1,2} - min. | 1.1 mm |
| r _{3,4} - min. | 1.1 mm |
| s | 1.4 mm |
| d _a - min. | 47 mm |
| d _a - max. | 48 mm |
| d _b - min. | 56 mm |
| D _a - max. | 72.8 mm |
| r _a - max. | 1 mm |
| Basic dynamic load rating - C | 62 kN |
| Basic static load rating - C ₀ | 53 kN |
| Fatigue load limit - P _u | 6.7 kN |
| Reference speed | 9500 r/min |
| Limiting speed | 11000 r/min |
| Calculation factor - k _r | 0.15 |
| Category | Cylindrical Roller Bearings |



IFB Roller Industry Co.,Ltd

| | |
|---------------------------|--|
| Inventory | 0.0 |
| Manufacturer Name | SKF |
| Minimum Buy Quantity | N/A |
| Weight / Kilogram | 0.404 |
| EAN | 7316577313089 |
| Product Group | B04144 |
| Bore Profile | Straight |
| Cage Material | Steel |
| Precision Class | RBEC 1 ISO P0 |
| Number of Rows of Rollers | Single Row |
| Separable | Inner Ring - One Side |
| Rolling Element | Cylindrical Roller Bearing |
| Profile | Complete with Outer and Inner Ring |
| Snap Ring | No |
| Internal Clearance | C0-Medium |
| Retainer | Yes |
| Relubricatable | Yes |
| Inch - Metric | Metric |
| Other Features | High Capacity 1 Rib Inner Ring 2 Rib Outer Ring Cage on Outer Ring ID |
| Long Description | 40MM Bore; Straight Bore Profile; 80MM Outside Diameter; 18MM Width; Steel Cage Material; RBEC 1 ISO P0; Single Row; Inner Ring - One Side Separable; No Snap Ring; Relubricatable; C0-Medium Intern |
| Category | Cylindrical Roller Bearing |
| UNSPSC | 31171547 |
| Harmonized Tariff Code | 8482.50.00.00 |
| Noun | Bearing |
| Manufacturer URL | http://www.skf.com |



IFB Roller Industry Co.,Ltd

| | |
|------------------------------|--------------------------------|
| Manufacturer Item Number | NJ 208 ECJ |
| Weight / LBS | 0.89 |
| Outside Diameter | 3.15 Inch 80 Millimeter |
| Bore | 1.575 Inch 40 Millimeter |
| Width | 0.709 Inch 18 Millimeter |
| bore diameter: | 40 mm |
| static load capacity: | 53 kN |
| outside diameter: | 80 mm |
| precision rating: | Not Rated |
| overall width: | 18 mm |
| maximum rpm: | 11000 RPM |
| flanges: | (2) Outer Ring, (1) Inner Ring |
| bearing material: | Steel |
| bore type: | Straight |
| cage material: | Steel |
| number of rows: | 1 |
| finish/coating: | Uncoated |
| internal clearance: | C0 |
| closure type: | Open |
| ring separation: | Separable Ring |
| outer ring width: | 18 mm |
| operating temperature range: | Maximum of +300 ° F |
| fillet radius: | 1 mm |
| dynamic load capacity: | 62 kN |
| series: | NJ2 |
| d_1 | 54 mm |
| D_1 | 67.4 mm |
| $r_{1,2}$ min. | 1.1 mm |
| $r_{3,4}$ min. | 1.1 mm |
| s max. | 1.4 mm |
| d_a min. | 47 mm |



IFB Roller Industry Co.,Ltd

| | |
|--------------------------------|---------|
| d_a max. | 48 mm |
| d_b min. | 56 mm |
| D_a max. | 72.8 mm |
| r_a max. | 1 mm |
| Basic dynamic load rating C | 62 kN |
| Basic static load rating C_0 | 53 kN |
| Fatigue load limit P_u | 6.7 kN |
| Calculation factor k_r | 0.15 |
| Limiting value e | 0.2 |
| Axial load factor Y | 0.6 |
| Mass bearing | 0.39 kg |