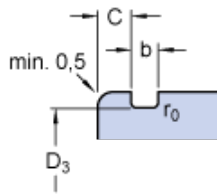
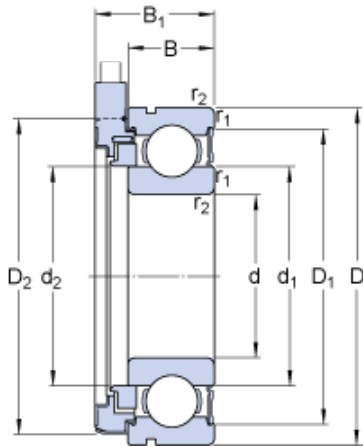




# IFB Roller Industry Co.,Ltd



## SKF BMO-6205/048S2/UA108A deep groove ball bearings

Bearing No. BMO-6205/048S2/UA108A

BMO-6205/048S2/UA108A Bearing 2D drawings and 3D CAD models

Size	52x25x21.2 mm
Bore Diameter	52 mm
Outer Diameter	25 mm
Width	21,2 mm
d	25 mm
D	52 mm
B <sub>1</sub>	21.2 mm
B	15 mm
d <sub>1</sub>	34.35 mm
d <sub>2</sub>	31.6 mm
D <sub>1</sub>	46.3 mm
D <sub>2</sub>	51.46 mm
D <sub>3</sub>	49.73 mm
C	2.46 mm
b	1.35 mm
r <sub>0</sub>	0.4 mm
r <sub>1,2</sub> - min.	1 mm
L	558 mm
Tolerance cable length L - ±	10 mm
d <sub>a</sub> - min.	30 mm
d <sub>b</sub> - min.	30 mm
d <sub>b</sub> - max.	31.3 mm
D <sub>a</sub> - max.	47 mm
r <sub>a</sub> - max.	1 mm



## IFB Roller Industry Co.,Ltd

Cable connector type	AMP Superseal
Number of pulses per revolution - N	48
Period accuracy	$\pm 3\%$
Phase shift output signal	90 °
Tolerance phase shift output signal	$\pm 30\text{ °}$
Basic dynamic load rating - C	14 kN
Basic static load rating - C <sub>0</sub>	7.8 kN
Fatigue load limit - P <sub>u</sub>	0.335 kN
Limiting speed	8500 r/min
Calculation factor - k <sub>r</sub>	0.025
Calculation factor - f <sub>0</sub>	14
Mass sensor unit	0.167 kg
Category	Bearings
Inventory	0.0
Manufacturer Name	SKF
Minimum Buy Quantity	N/A
Weight / Kilogram	0.133
Product Group	B04264
B <sub>1</sub>	21.2 mm
d <sub>1</sub>	34.35 mm
d <sub>2</sub>	31.6 mm
D <sub>1</sub>	46.3 mm
D <sub>2</sub>	51.46 mm
D <sub>3</sub>	49.73 mm
r <sub>0</sub>	0.4 mm
r <sub>1,2</sub> min.	1 mm
$\pm$	10 mm
d <sub>a</sub> min.	30 mm
d <sub>b</sub> min.	30 mm



## IFB Roller Industry Co.,Ltd

$d_b$ max.	31.3 mm
$D_a$ max.	47 mm
$r_a$ max.	1 mm
Number of pulses per revolution N	48
Period accuracy $\pm$	3 %
Phase shift output signal tolerance $\pm$	30 °
Basic dynamic load rating C	14 kN
Basic static load rating $C_0$	7.8 kN
Fatigue load limit $P_u$	0.335 kN
Calculation factor $k_r$	0.025
Calculation factor $f_0$	14
Snap ring	SP 52