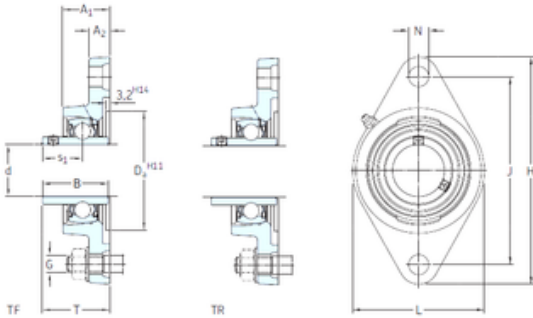




# IFB Roller Industry Co.,Ltd

## SKF FYTB 50 WF bearing units



Bearing No. FYTB 50 WF

Bore Diameter	50 mm
d	50 mm
Da	101,6 mm
s1	38,1 mm
A1	43 mm
B1	62,7 mm
G	16 mm
H	189 mm
J	157 mm
L	116 mm
N	18 mm
T	66,1 mm
A2	15 mm
Weight	2,35 Kg
Basic dynamic load rating (C)	35,1 kN
Basic static load rating (C0)	23,2 kN
Fatigue load limit (Pu)	0,98
Category	Flange Block Bearings
Inventory	0.0
Manufacturer Name	SKF
Minimum Buy Quantity	N/A
Weight / Kilogram	2.35
Product Group	M06110
Number of Mounting Holes	2
Mounting Method	Eccentric Collar
Housing Style	2 Bolt Flange Block

FYTB 50 WF Bearing 2D drawings and 3D CAD models



## IFB Roller Industry Co.,Ltd

Rolling Element	Ball Bearing
Housing Material	Cast Iron
Expansion / Non-expansion	Non-expansion
Mounting Bolts	16 Millimeter
Relubricatable	Yes
Insert Part Number	YEL 210-2F
Seals	M Seal
Housing Configuration	1 Piece Solid
Pilot Configuration	No Pilot
Inch - Metric	Metric
Long Description	2 Bolt Flange Block; 50MM Bore; 157MM Bolt Circle; 157MM Bolt Spacing; 1 Piece Solid; Eccentric Collar Mount; Cast Iron; Ball Bearing; 62.7MM Length Thru Bore; Relubricatable; M Seal Seals
Other Features	Single Row   Standard Duty   Wide Inner Race   Open End   Has Flinger   Y Bearing
Category	Flange Block
UNSPSC	31171501
Harmonized Tariff Code	8483.20.40.40
Noun	Bearing
Keyword String	Flanged
Manufacturer URL	<a href="http://www.skf.com">http://www.skf.com</a>
Manufacturer Item Number	FYTB 50 WF
Weight / LBS	5.18
Bolt Spacing	6.181 Inch   157 Millimeter
Nominal Bolt Circle Diameter Round	6.2 Inch   157 Millimeter
Length Thru Bore	2.469 Inch   62.7 Millimeter
Cartridge Pilot Diameter	0 Inch   0 Millimeter



## IFB Roller Industry Co.,Ltd

Cartridge Pilot Depth	0 Inch   0 Millimeter
Bore	1.969 Inch   50 Millimeter
Housing material	Cast iron
$D_a$	101.6 mm
$D_{b1}$	107 mm
$D_{b2}$	116 mm
A	43 mm
$A_1$	15 mm
$A_3$	3.2 mm
$A_5$	29.5 mm
$B_1$	62.7 mm
$B_4$	6.75 mm
$s_1$	38.1 mm
$R_G$	1/4-28 UNF
$R_1$	28.5 mm
R	45 °
$D_N$	6.5 mm
$SW_N$	7 mm
$G_N$	1/4-28 SAE-LT
$J_6$	127 mm
$J_7$	20 mm
$N_4$	2 mm
Basic dynamic load rating C	35.1 kN
Basic static load rating $C_0$	23.2 kN
Fatigue load limit $P_u$	0.98 kN
Limiting speed	4000 r/min
Mass bearing unit	2.2 kg
Thread grub screw $G_2$	M10x1
Hexagonal key size for grub screw N	5 mm
Recommended tightening torque for grub screw	16.5 N · m
Recommended diameter for	16 mm



## IFB Roller Industry Co.,Ltd

attachment bolts, mm G	
Recommended diameter for attachment bolts, inch G	0.625 in