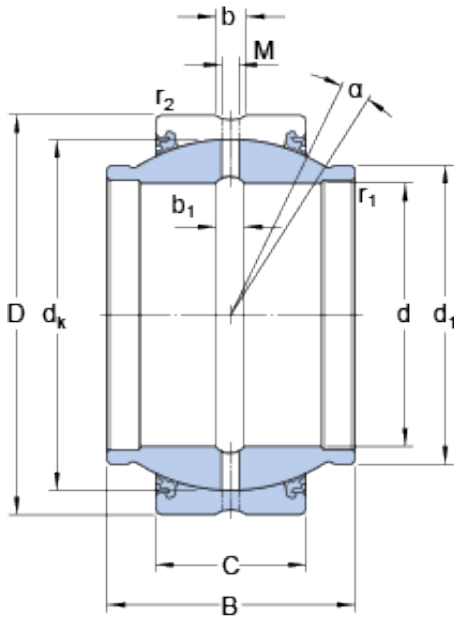




IFB Roller Industry Co.,Ltd

SKF GEM 40 ESX-2LS plain bearings

Bearing No. GEM 40 ESX-2LS



GEM 40 ESX-2LS Bearing 2D drawings and 3D CAD models

Size	62x40x38 mm
Bore Diameter	62 mm
Outer Diameter	40 mm
Width	38 mm
d	40 mm
D	62 mm
B	38 mm
C	22 mm
	4 °
d _k	53 mm
d ₁	45 mm
b	3.9 mm
b ₁	3.9 mm
M	2.5 mm
r ₁ - min.	0.6 mm
r ₂ - min.	1 mm
d _a - min.	44 mm
d _a - max.	45 mm
D _a - min.	54.5 mm
D _a - max.	57.8 mm
r _a - max.	0.6 mm
r _b - max.	1 mm
Basic dynamic load rating - C	150 kN
Basic static load rating - C ₀	500 kN
Specific factor dinamic load	150 N/mm ²



IFB Roller Industry Co.,Ltd

- K	
Specific factor static load - K_0	500 N/mm ²
Constant - K_M	330
Lubricant	Maintenance free – greased for life
Design (sliding contact surface combination)	Steel/steel
Sealing solution	Triple-lip seals
	4 °
d_k	53 mm
d_1	45 mm
b_1	3.9 mm
r_1 min.	0.6 mm
r_2 min.	1 mm
d_a min.	44 mm
d_a max.	45 mm
D_a min.	54.5 mm
D_a max.	57.8 mm
r_a max.	0.6 mm
r_b max.	1 mm
Basic dynamic load rating C	150 kN
Basic static load rating C_0	500 kN
Specific dynamic load factor K	150 N/mm ²
Specific static load factor K_0	500 N/mm ²
Material constant K_M	330
Mass plain bearing	0.35 kg