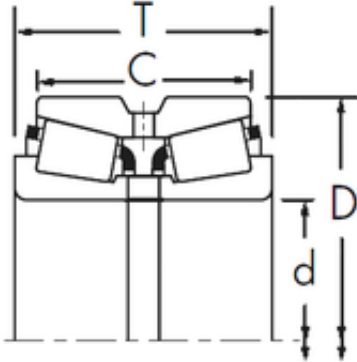




## IFB Roller Industry Co.,Ltd

### Timken 447/432D+X1S-447 tapered roller bearings



Bearing No. 447/432D+X1S-447

Size	41.275x95.25x61.915 mm
Bore Diameter	41,275 mm
Outer Diameter	95,25 mm
Width	61,915 mm
d	41,275 mm
D	95,25 mm
T	61,915 mm
C	50,8 mm
R	3,5 mm
r	0,8 mm

447/432D+X1S-447 Bearing 2D drawings and 3D CAD models