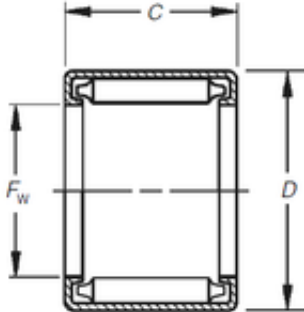




IFB Roller Industry Co.,Ltd

Timken BH-88 needle roller bearings



Bearing No. BH-88

Size	12.7x19.05x12.7 mm
Bore Diameter	12,7 mm
Outer Diameter	19,05 mm
Width	12,7 mm
Fw	12,7 mm
D	19,05 mm
C	12,7 mm
Weight	0,012 Kg
Basic dynamic load rating (C)	11,2 kN
Basic static load rating (C0)	14,6 kN
(Grease) Lubrication Speed	5100 r/min

BH-88 Bearing 2D drawings and 3D CAD models