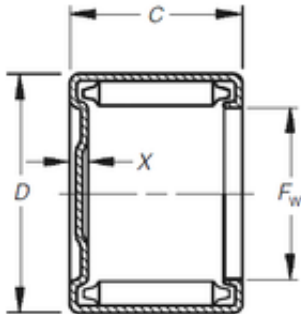




IFB Roller Industry Co.,Ltd

Timken MH-18121 needle roller bearings



Bearing No. MH-18121

Size	28.575x38.1x19.05 mm
Bore Diameter	28,575 mm
Outer Diameter	38,1 mm
Width	19,05 mm
Fw	28,575 mm
D	38,1 mm
C	19,05 mm
C1	3,05 mm
Weight	0,063 Kg
Basic dynamic load rating (C)	31,5 kN
Basic static load rating (C0)	52,9 kN
(Grease) Lubrication Speed	3600 r/min

MH-18121 Bearing 2D drawings and 3D CAD models