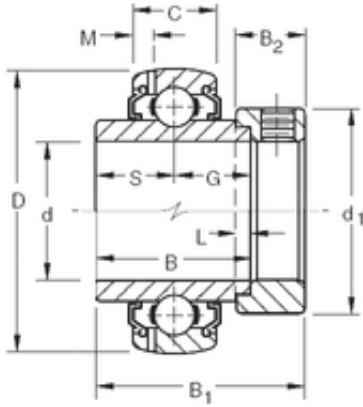




IFB Roller Industry Co.,Ltd

Timken G1010KLLB deep groove ball bearings



Bearing No. G1010KLLB

Size	15.875x40x27.78 mm
Bore Diameter	15,875 mm
Outer Diameter	40 mm
Width	27,78 mm
d	15,875 mm
D	40 mm
B	27,78 mm
C	12 mm
d1	28,6 mm
B1	37,3 mm
B2	13,5 mm
G	13,9 mm
L	4 mm
M	2,72 mm
S	13,9 mm
Weight	0,141 Kg
Basic dynamic load rating (C)	10,7 kN

G1010KLLB Bearing 2D drawings and 3D CAD models